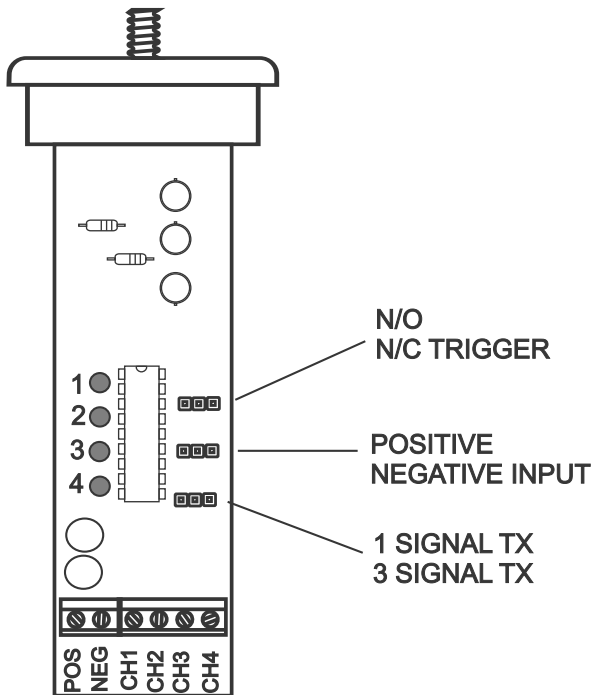


4 Channel Alarm Transmitter Code-Hopping Encryption

Model No:

S4

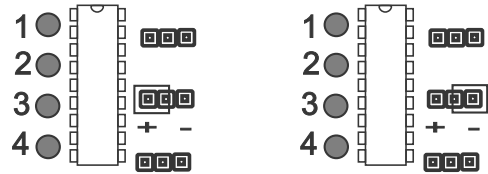
Ver 2:



TRIGGER THE TRANSMITTER

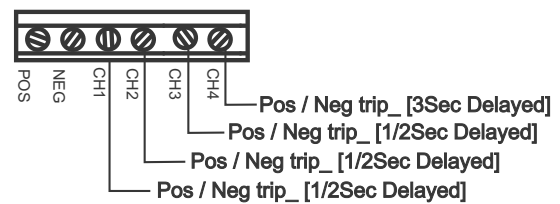
The S4 Transmitter will trigger from either a Positive trips or Negative trip, dependant on the Jumper setting selected. Refer to the **POSITIVE OR NEGATIVE TRIP SETUP.**

POSITIVE OR NEGATIVE TRIP SETUP.



For Electric Fence link ups:

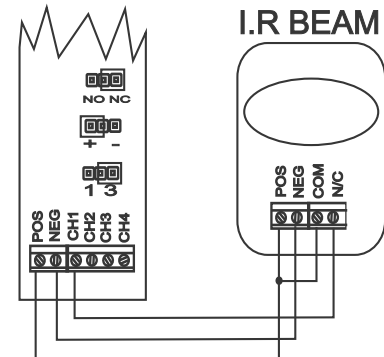
We recommend that CH4 be used on a Negative trip. The S4 Transmitter will then only transmit after a 3 Second trip is made. This will prevent the unit from False triggering from spikes created by Electric fence energisers.



SPECIFICATIONS

Encryption.....	Code-Hopping
Frequency.....	403.55Mhz
Range : Line of site.....	1000m.
Range : Indoors.....	400m.
Trigger Input.....	4 (N/O - N/C)
Power supply.....	11 ~ 14v DC
Current drain.....	100mA, 12VDC
Humidity.....	95% RH maximum
Temperature.....	-20° C ~ 60° C
Dimensions.....	190 x 60 x 55mm

TYPICAL WIRING AND JUMPER SETUP

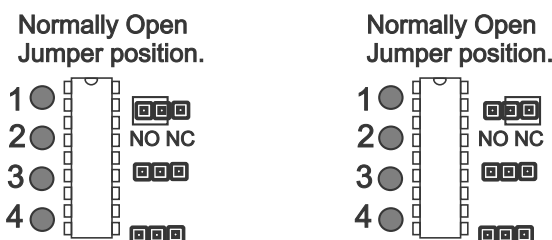


MOUNTING THE TRANSMITTER

- This unit is designed to be externally mounted. If possible, for best effective range, both the transmitter and receiver should be installed in a clear line of sight. Care should be used, not to mount the transmitter up against walls or metal sheeting. The supplied wall bracket is designed to be used, for mounting the unit onto fascia boards on the sides of roofs.
- For best effective range, ensure that the antenna is tightly screwed onto the thread, and is at least 60 cm away from any obstructions.

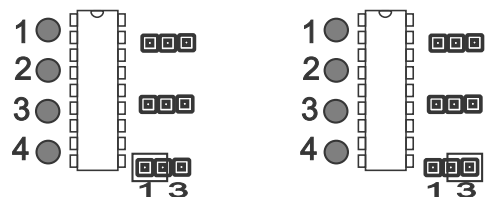
NORMALLY OPEN AND THE NORMALLY CLOSED SETUP

The unit can be setup to trigger with either Normally open contact trips or Normally closed trips. All 4 channels will be setup dependant on the jumpers position. Refer to the diagram below.



SETTING TRANSMISSION CYCLE TIMES

The Unit can be setup to transmit either one(1) short burst of transmission radio signal, or three(3) when activated. Use 1 signal for applications when used to trigger gate motors, and 3 signals for alarm monitoring. Refer to the diagram below.



Sherlotronics SA (Pty) Ltd
7C Susan Street, Strydom Park,
Johannesburg South Africa.
Tel: +27(11) 792-7782 Fax: +27(11) 792 6781
e mail: simon@sherlotronics.co.za

