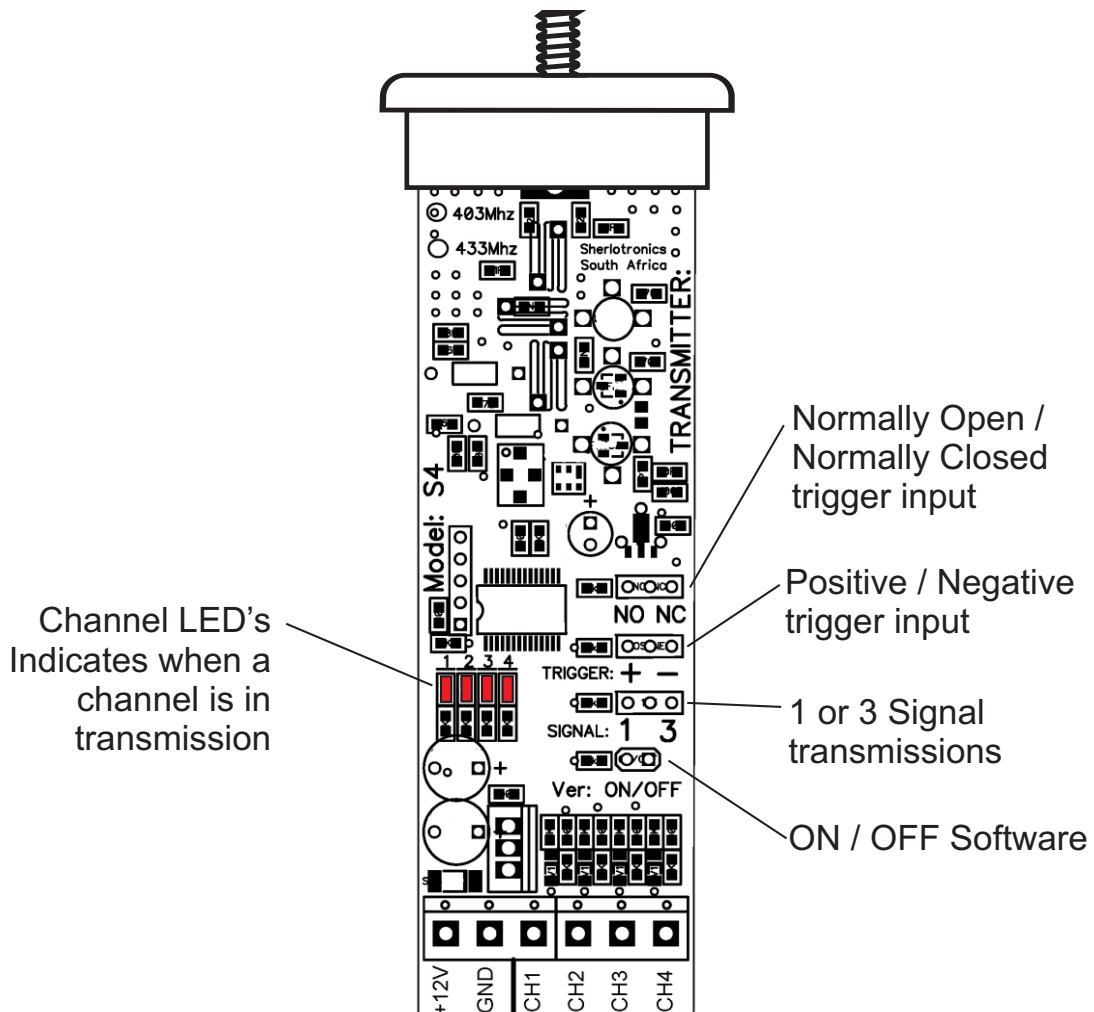


Specifications:

Encryption type	Code-Hopping
Frequency	403.55Mhz
Range : Line of site	1000m
Range : Indoors	300m
Current drain with all outputs triggered	110mA
Power supply voltage	12V DC
Dimensions: ABS Housing	190 x 60 x 55mm

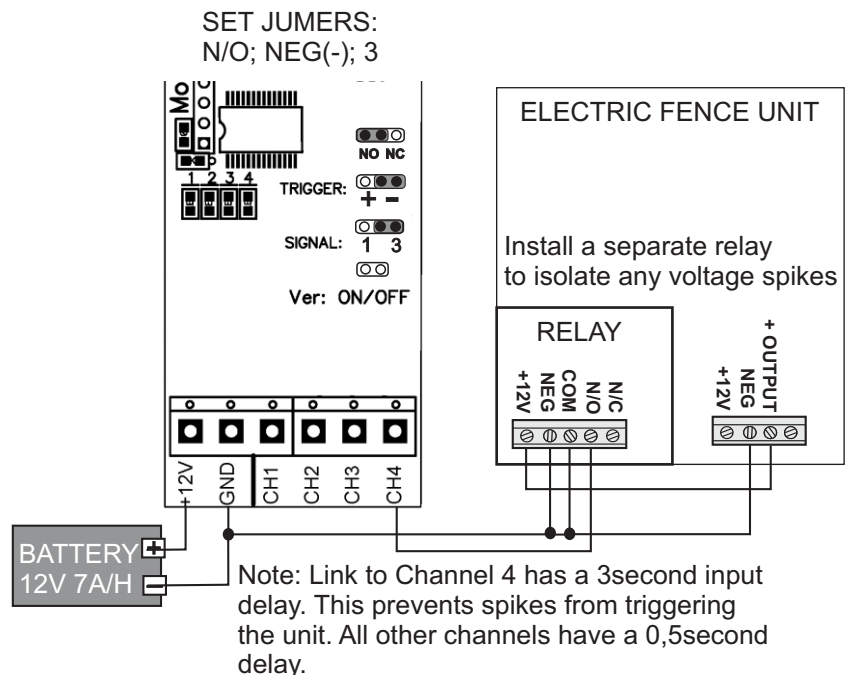
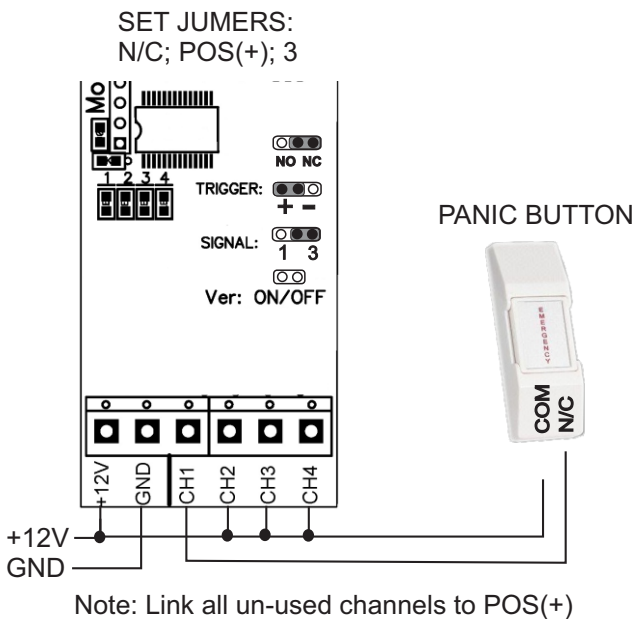
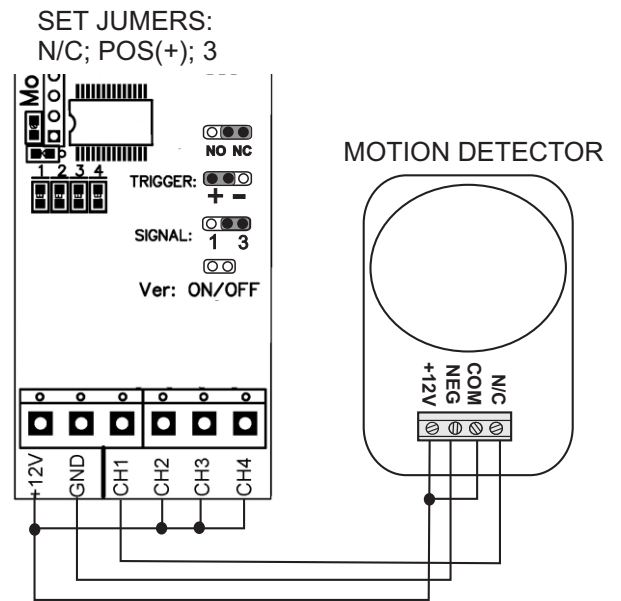
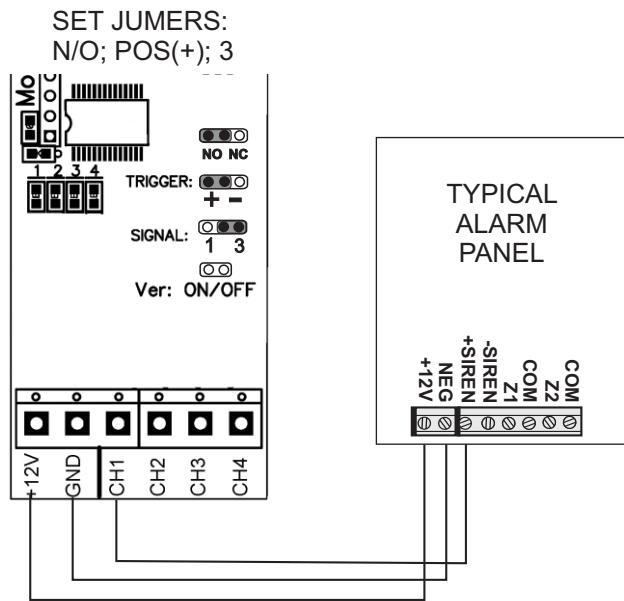
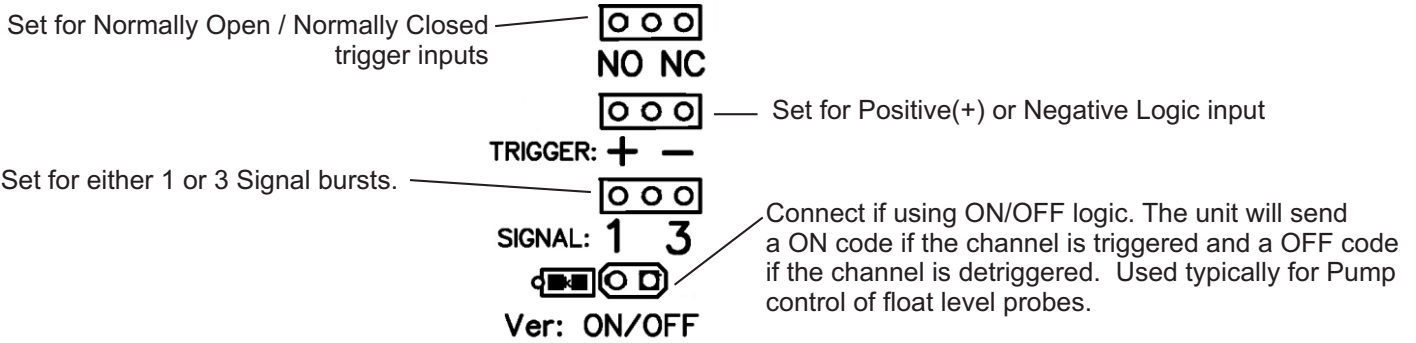
Features:

- 1 - 4 Channel outputs.
- Normally open / closed trigger inputs.
- Positive / Negative trigger inputs.
- 1 or 3 Signal transmissions.
- ON / OFF logic. (Pump software selectable)

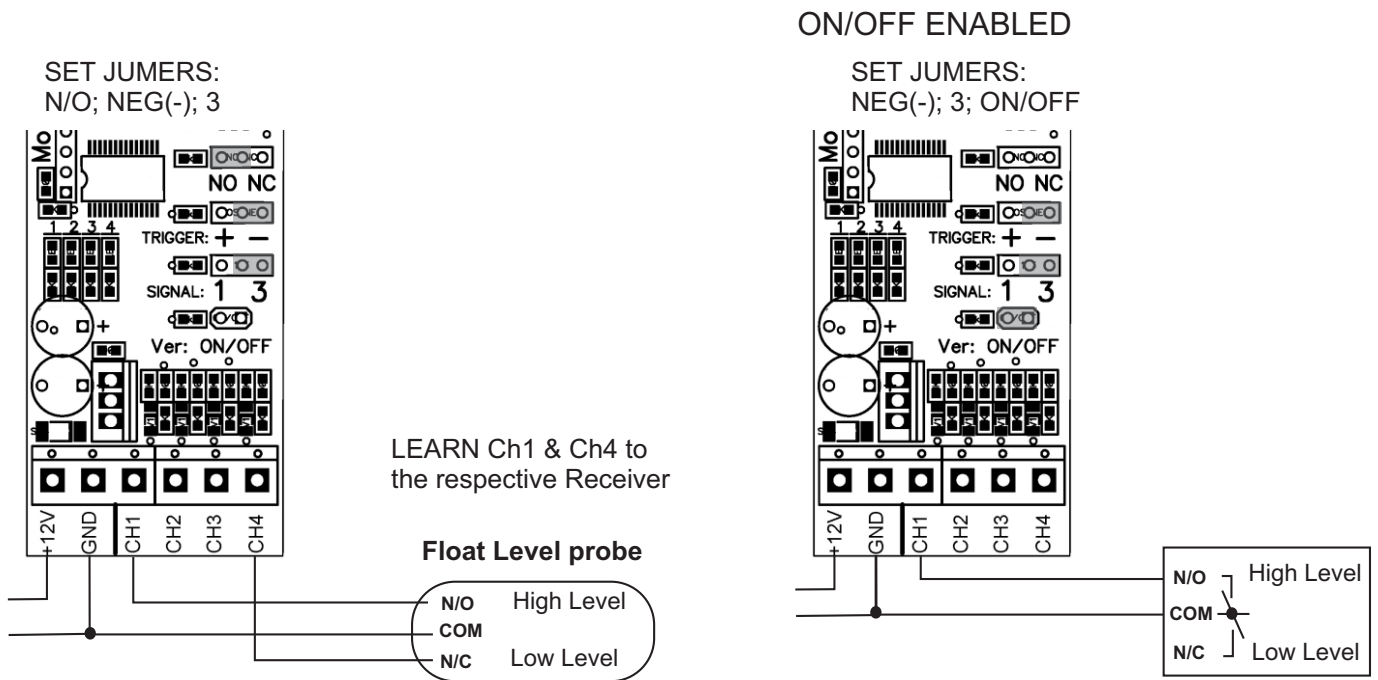


4 Channel Stand-alone transmitter

JUMPER SETTINGS



4 Channel Stand-alone transmitter



ON/OFF FUNCTIONALITY EXPLAINED

Once the ON/OFF jumper is connected, the Transmitter will transmit a separate signal encoded to switch a receivers Relay contact ON or OFF depending of the transmitters trigger input condition.

The function will only work on ON / OFF (PUMP Receiver units).

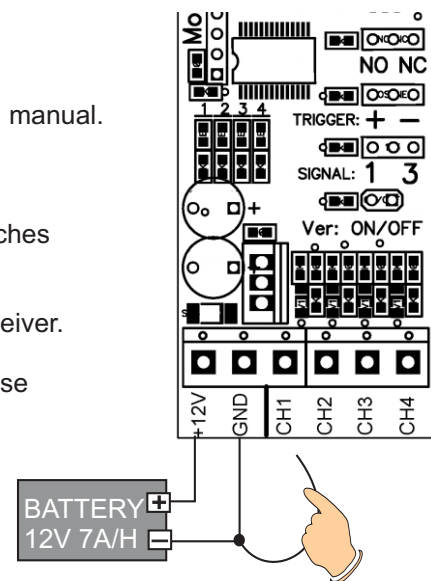
- > 1 Channel RX, Model: RX1_PUMP
- > 4 Channel RX, Model: RX4_PUMP

This functionality ensures the unit does not get out of sequence as with normal latching/unlatching functions. If you are using a different 12V power-source to that of the Transmitters then it is recommended to common up on the Ground / Negative so that all the devices have a common negative reference.

PROGRAMMING A RECEIVER

- 1) Make up a short set of wires and connect to a 12V battery.
- 2) Set the jumper settings to NO; NEG(-); 1.
- 3) Place the Receiver unit into LEARN mode, follow the relevant installation manual.
- 4) Connect a trigger from the Battery (-) to Ch1 of the Transmitter.
- 5) The unit will transmit a signal (LED1 will go on).
- 6) The Receiver's BUZZER should beep whilst learning in.
- 7) Take the Receiver out of LEARN mode and test that the Transmitter switches the receiver.

Note: Please place the Aerial onto the Transmitter before Learning to a Receiver. Keep the Receiver and Transmitter at-least 2m apart from each other whilst learning the units, as the transmitter may over power the receiver if very close to the receiver.



PRODUCT NOTIFICATION

Date: 5 May 2009

Technical Jumper setting problem:

Please only use the settings shown below with the tick , the last setting is not to be used as it will cause the unit to not work correctly.

