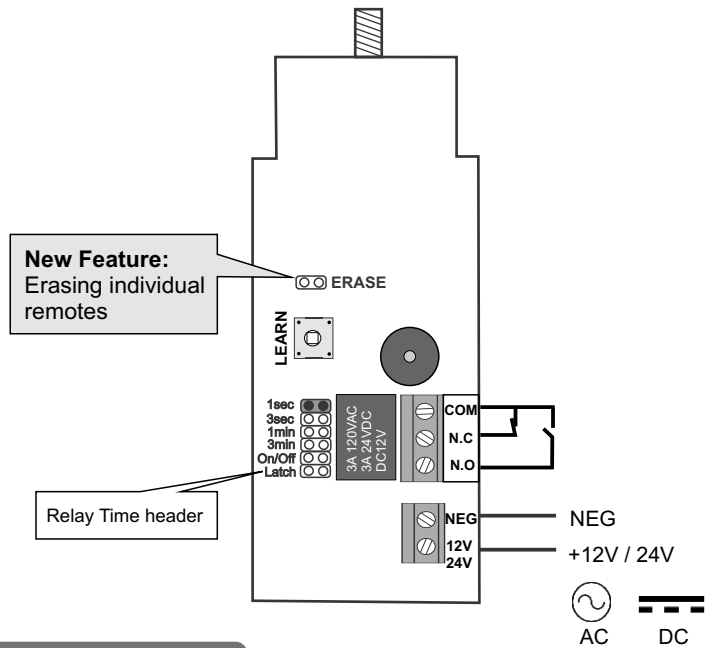


SPECIFICATIONS:

- Encryption..... Code-Hopping
- Frequency.....403.55Mhz
- Receiving range.....500m (Line of site)
- Power input range..... 10 ~ 26V AC/DC
- Current drain.....11mA, 12VDC
- Memory capacity.....80 Remotes
- Relay output times.....1 second momentary
-3 second momentary
-1 Minute; 3 Minute
-On/Off (separate signals)
-Latching (flip flop)
- Housing rating..... Splash proof.
- Housing material.....White ABS
- Dimensions.....100 X 60 x 25mm
- Weight.....95 grams
- Warranty.....1 year
- Product Release date.....Jan 2013



Opening the lid

Defaulting.

Insert a small 1-1.5mm flat screw driver into the slot at the back of the housing and lever the lid open.

Press and hold for more than 10 Seconds.

When the unit sounds a long beep the unit is Default. All remotes will be erased from memory

Programming

Please follow the steps below to Learn in remotes to the receiver's relay channel. The unit can store up to 80 remotes. When memory has reached its limit the unit will automatically exit out of program mode and sound a long beep. The unit auto exits after 10 seconds.

<p>Step 1. </p> <p>LEARN </p> <p>Enters Learn mode</p>	<p>Step 2. </p> <p></p> <p>Max 80 remotes</p> <p>Press button twice</p>	<p>Step 3. </p> <p>LEARN </p> <p>Exits from Learn</p>
--	--	---

Programming On/Off Function

This function enables the receiver to be programmed with a button to turn the relay ON and a different button to turn the relay OFF.

<p>Step 1. </p> <p>LEARN </p> <p>Enters Learn for ON/OFF</p>	<p>Step 2. </p> <p></p> <p>Learn ON signal Press button twice</p>	<p>Step 3. </p> <p>LEARN </p> <p>Enters Learn mode for OFF code</p>	<p>Step 4. </p> <p></p> <p>Learn OFF signal Press button twice</p>	<p>Step 5. </p> <p>LEARN </p> <p>Press twice to Exit</p>
--	--	---	---	--

Relay time settings

1 Second

1sec	<input checked="" type="checkbox"/>
3sec	<input type="checkbox"/>
1min	<input type="checkbox"/>
3min	<input type="checkbox"/>
On/Off	<input type="checkbox"/>
Latch	<input type="checkbox"/>

Gate & garage door automation

3 Seconds

1sec	<input type="checkbox"/>
3sec	<input checked="" type="checkbox"/>
1min	<input type="checkbox"/>
3min	<input type="checkbox"/>
On/Off	<input type="checkbox"/>
Latch	<input type="checkbox"/>

Panic on alarm panel

60 Seconds

1sec	<input type="checkbox"/>
3sec	<input type="checkbox"/>
1min	<input checked="" type="checkbox"/>
3min	<input type="checkbox"/>
On/Off	<input type="checkbox"/>
Latch	<input type="checkbox"/>

Maglock release / beam bypass

3 Min

1sec	<input type="checkbox"/>
3sec	<input type="checkbox"/>
1min	<input type="checkbox"/>
3min	<input checked="" type="checkbox"/>
On/Off	<input type="checkbox"/>
Latch	<input type="checkbox"/>

Arming & Disarming alarm panels

Latch/un-Latch

1sec	<input type="checkbox"/>
3sec	<input type="checkbox"/>
1min	<input type="checkbox"/>
3min	<input type="checkbox"/>
On/Off	<input type="checkbox"/>
Latch	<input checked="" type="checkbox"/>

Siren output or beam bypass

On / Off

1sec	<input type="checkbox"/>
3sec	<input type="checkbox"/>
1min	<input type="checkbox"/>
3min	<input type="checkbox"/>
On/Off	<input checked="" type="checkbox"/>
Latch	<input type="checkbox"/>

Code 1 = ON
Code 2 = OFF