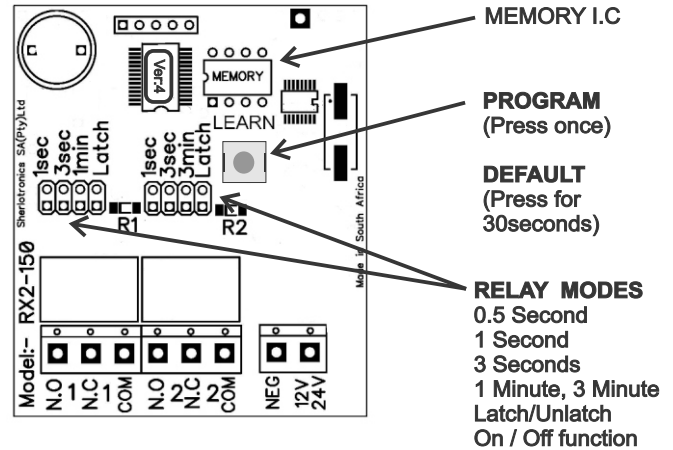


### SPECIFICATIONS:

Encryption.....	Keeloq Code-Hopping
Frequency.....	403.55MHz
Receiving range.....	150m
Power input range.....	10 ~ 26V AC/DC
Current drain.....	11mA, 12VDC
Memory capacity.....	32 Remotes per Channel
Relay output times.....	0.5 second momentary
.....	1 second momentary
.....	3 second momentary
.....	Latching
.....	On / Off function
.....	1 & 3 Minute
Dimensions.....	100 X 60 x 25mm
Weight Packed.....	0.078kg / 78grams
Warranty.....	5 year
Software Version / Date.....	Ver:4 / April 2010



### Deleting all codes / Defaulting.

Delete all programmed remotes from the unit. This should be done in the event of loss or theft of keys.

1. Select the Relay channel you would like to default. You do this by removing the shunts off the particular Relay mode jumper pins.
2. Now press and hold the LEARN switch for approx 10 seconds. The unit starts beeping. When the buzzer sounds a continuous tone, the Relay Channel that you selected is defaulted.
3. Remove power for a few seconds to complete.

### Programming

Please follow the 4 steps below to Learn in remotes to the receiver's relevant relay channel. The unit can store 32 remote controls per relay. When memory has reached its limit the unit will automatically exit out of program mode and sound a long beep. The unit auto exits after 10 seconds of inactivity.

#### STEP 1: ENTER LEARN MODE

Press the LEARN switch once.  
Relay LED comes on & 1x beep will sound



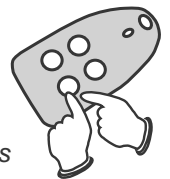
Unit auto exits after 10 sec. A Long Beep will sound.

#### STEP 2: SECURELY LEARN REMOTES

Learn in remotes by "pressing" them two to three times. The unit will beep twice to validate that the remote is successfully learnt.

The buzzer will squawk if the remote is already programmed in. A Max of 32 remotes can be stored per Relay Channel.

*Note: You can program a remote's button to switch both relays simultaneously and then set different time settings for special applications.*



#### STEP 3: LEARN RELAY 2.

Repeat : STEP 1 & STEP 2 above to learn remotes to Relay 2.

#### STEP 4: EXIT LEARN MODE

Exit learn mode by pressing the LEARN switch again, or to step past relay 2. A long beep will sound. The unit auto exits after 10seconds of inactivity.



### Relay time settings

Select one of the four (6) jumper settings. The Relay mode jumpers set the unit to switch the relay contact for different applications. We recommend the following settings be used as a guide line only:-

0.5 Second	1 Second	3 Seconds	Latch & Unlatch	Relay 1 = 1 Minute Relay 2 = 3 Minute	On / Off
Garage door automation 	Gate & garage door automation 	Panic on alarm panel 	Arming & Disarming alarm panels 	Siren output or beam bypass 	First code is ON, the second code is OFF. 